

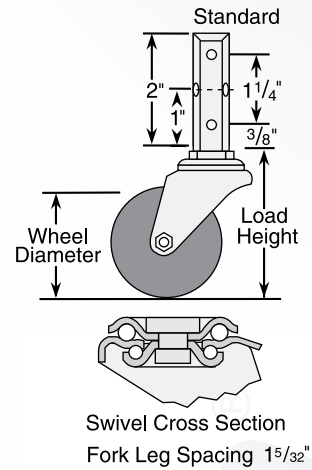
1 Series

SQUARE STEM

Capacity up to **145 lbs each**



Standard Dimensions



Features

- Zinc plated finish is attractive and durable
- Full double ball hardened raceways for better performance and greater durability
- 5/16" shouldered axle with 1/4" nut
- "Colson 45" multi-temp grease lubricates in extreme hot and cold temperatures

Standard Mounting

- Designed for easy installation on the inside of angle iron legs or against flat surfaces
- Stems may be bolted or riveted against any flat vertical surface
- **Stem Size:** 2" long x 3/4" square with 3 mounting holes 17/64" diameter

Colson 1 Series Casters • Square Stem • Capacity to 145 lbs each

Wheel Dia.	Tread Width	Capacity Each (Pounds)	Wheel Descriptions	Wheel Bearing	Stem Caster Models	Load Height	Swivel Radius	Weight (Pounds)
3"	7/8"	100	Polyurethane HI-TECH	Delrin	1.03370.91	3 ³ / ₄ "	2 ¹³ / ₁₆ "	1 ¹ / ₄
		125	Performa Rubber	Delrin	1.03370.441	3 ³ / ₄ "	2 ¹³ / ₁₆ "	1 ¹ / ₄
			Polyolefin	Delrin	1.03370.53	3 ³ / ₄ "	2 ¹³ / ₁₆ "	1 ¹ / ₄
4"	7/8"	125	Polyurethane HI-TECH	Delrin	1.04370.91	4 ³ / ₄ "	3 ⁷ / ₁₆ "	1 ¹ / ₂
		135	Performa Rubber	Delrin	1.04370.441	4 ³ / ₄ "	3 ⁷ / ₁₆ "	1 ¹ / ₂
			Polyolefin	Delrin	1.04370.53	4 ³ / ₄ "	3 ⁷ / ₁₆ "	1 ¹ / ₂
5"	7/8"	140	Polyurethane HI-TECH	Delrin	1.05370.91	5 ³ / ₄ "	4 ¹ / ₁₆ "	1 ³ / ₄
		145	Performa Rubber	Delrin	1.05370.441	5 ³ / ₄ "	4 ¹ / ₁₆ "	1 ³ / ₄
			Polyolefin	Delrin	1.05370.53	5 ³ / ₄ "	4 ¹ / ₁₆ "	1 ³ / ₄

Caster Brake



Side Lock
(See page 96) Available on all models. Field installable (Specify **BRK3**; Example: 1.03370.441 BRK3).

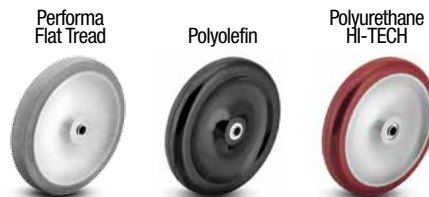
Fork Options

NSF Listed for Food Service Industry
All models except thread guards.

Forks Only

To order caster forks only use 1st 6 digits of model numbers (Example: 1.03370).

Wheel Selection



See the Performa Advantage on Page 67.

Wheel Option

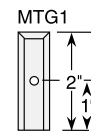
Thread Guards

(See page 108) Available on all 3" models. Brake & NSF options cannot be used with thread guards (Specify **TG1** for metal; Example: 1.03370.91 TG1).

Mounting Options

Standard Mounting (no code necessary):
2" long x 3/4" square with 3 mounting holes 17/64" diameter.

MTG1: Optional Square Stem:
2" long x 7/8" square with 1 mounting hole 17/64" diameter.



To order optional mounting, add mounting code above to Stem Caster Models number (Example: 1.03370.91 MTG1).