

**STAINLESS STEEL** Swivel & Rigid

**ENCORE**  
WHERE ECONOMY MEETS QUALITY

— 4 Series Capacity up to **900 lbs each**



**Standard Features**

- Electro-polished stainless steel construction (Grade 304)
- 3/16" thick stainless steel top plate and fork legs for durability
- Permanent rivet kingpin with 5/8" diameter rivet
- Grease fittings: wheel bearing and swivel raceway
- Ideal for harsh environments where frequent wash downs, chemicals and other corrosive elements cause zinc plated casters to rust or corrode

**Caster Brake**



**Tech Lock**  
(See page 98) Available on all swivel models. Field installable (Specify **BRK2**).



**Top Lock**  
(See page 98) Available on all swivel models. Field installable (Specify **BRK7**).

**Wheel Selection**

Ecoforma Flat



Ecoforma Round



Glass Filled Nylon



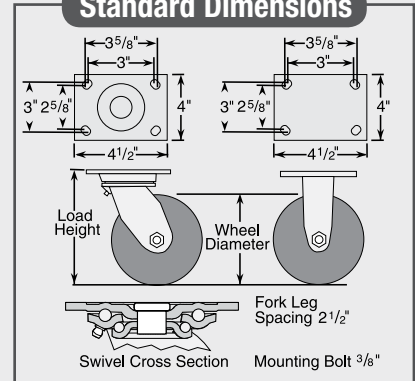
Ecopoly



Polyolefin



**Standard Dimensions**



## Encore 4 Series Casters • Stainless Steel Top Plate Swivel & Rigid • Capacity to 900 lbs

Wheel Dia.	Tread Width	Capacity Each (Pounds)	Wheel Descriptions	Swivel Top Plate Roller Bearing Caster Models	Rigid Top Plate Roller Bearing Caster Models	Optional Bearings (Order information below chart)	Load Height	Swivel Radius	Weight lbs (Rigid Deduct 1.5 lbs)
4"	2"	280	Ecoforma Rubber (Flat)	E4.04149.479	E4.04148.479	Delrin, PPBB	5 <sup>5</sup> / <sub>8</sub> "	3 <sup>5</sup> / <sub>8</sub> "	4 <sup>1</sup> / <sub>2</sub>
		480	Ecopoly	E4.04149.929.7	E4.04148.929.7	Delrin, PPBB	5 <sup>5</sup> / <sub>8</sub> "	3 <sup>5</sup> / <sub>8</sub> "	4 <sup>3</sup> / <sub>4</sub>
		500	Polyolefin	E4.04149.839	E4.04148.839	Delrin, PPBB	5 <sup>5</sup> / <sub>8</sub> "	3 <sup>5</sup> / <sub>8</sub> "	4
		640	Glass Filled Nylon	E4.04149.539	E4.04148.539	Delrin, PPBB	5 <sup>5</sup> / <sub>8</sub> "	3 <sup>5</sup> / <sub>8</sub> "	4 <sup>1</sup> / <sub>4</sub>
5"	2"	300	Ecoforma Rubber (Flat)	E4.05149.479	E4.05148.479	Delrin, PPBB	6 <sup>1</sup> / <sub>2</sub> "	4 <sup>1</sup> / <sub>4</sub> "	4 <sup>7</sup> / <sub>8</sub>
		600	Ecopoly	E4.05149.929.7	E4.05148.929.7	Delrin, PPBB	6 <sup>1</sup> / <sub>2</sub> "	4 <sup>1</sup> / <sub>4</sub> "	4 <sup>7</sup> / <sub>8</sub>
			Polyolefin	E4.05149.839	E4.05148.839	Delrin, PPBB	6 <sup>1</sup> / <sub>2</sub> "	4 <sup>1</sup> / <sub>4</sub> "	4 <sup>3</sup> / <sub>8</sub>
		800	Glass Filled Nylon	E4.05149.539	E4.05148.539	Delrin, PPBB	6 <sup>1</sup> / <sub>2</sub> "	4 <sup>1</sup> / <sub>4</sub> "	4 <sup>5</sup> / <sub>8</sub>
6"	2"	360	Ecoforma Rubber (Round)	E4.06149.579	E4.06148.579	Delrin, PPBB	7 <sup>1</sup> / <sub>2</sub> "	5 <sup>1</sup> / <sub>16</sub> "	5 <sup>1</sup> / <sub>8</sub>
		480	Ecoforma Rubber (Flat)	E4.06149.479	E4.06148.479	Delrin, PPBB	7 <sup>1</sup> / <sub>2</sub> "	5 <sup>1</sup> / <sub>16</sub> "	5 <sup>1</sup> / <sub>4</sub>
		600	Polyolefin	E4.06149.839	E4.06148.839	Delrin, PPBB	7 <sup>1</sup> / <sub>2</sub> "	5 <sup>1</sup> / <sub>16</sub> "	4 <sup>3</sup> / <sub>4</sub>
		720	Ecopoly	E4.06149.929.7	E4.06148.929.7	Delrin, PPBB	7 <sup>1</sup> / <sub>2</sub> "	5 <sup>1</sup> / <sub>16</sub> "	5 <sup>3</sup> / <sub>8</sub>
		900	Glass Filled Nylon	E4.06149.539	E4.06148.539	Delrin, PPBB	7 <sup>1</sup> / <sub>2</sub> "	5 <sup>1</sup> / <sub>16</sub> "	5
8"	2"	480	Ecoforma Rubber (Round)	E4.08149.579	E4.08148.579	Delrin, PPBB	9 <sup>1</sup> / <sub>2</sub> "	6 <sup>9</sup> / <sub>16</sub> "	6
		540	Ecoforma Rubber (Flat)	E4.08149.479	E4.08148.479	Delrin, PPBB	9 <sup>1</sup> / <sub>2</sub> "	6 <sup>9</sup> / <sub>16</sub> "	6 <sup>1</sup> / <sub>4</sub>
		800	Ecopoly	E4.08149.929.7	E4.08148.929.7	Delrin, PPBB	9 <sup>1</sup> / <sub>2</sub> "	6 <sup>9</sup> / <sub>16</sub> "	5 <sup>1</sup> / <sub>2</sub>
		900	Polyolefin	E4.08149.839	E4.08148.839	Delrin, PPBB	9 <sup>1</sup> / <sub>2</sub> "	6 <sup>9</sup> / <sub>16</sub> "	5 <sup>1</sup> / <sub>4</sub>
			Glass Filled Nylon	E4.08149.539	E4.08148.539	Delrin, PPBB	9 <sup>1</sup> / <sub>2</sub> "	6 <sup>9</sup> / <sub>16</sub> "	5 <sup>3</sup> / <sub>4</sub>

### Bearing Options

#### Delrin Bearing

For standard two-piece bearing change 10th digit to "1" (Example: E4.06149.921.7). One-piece with steel thrust washers (Specify **WB11**).

#### Pedestal Precision Ball Bearing (PPBB)

Stainless steel precision ball bearing available; please consult factory for ordering details.