

# 4 Series

Capacity up to **2000 lbs each**

**ENFORCER** Kingpinless Swivel & Rigid



## Features

- Attractive zinc plated finish
- Full single ball hardened raceway
- Formed fork legs feature robotic welding
- 1/2" hollow axle with grease zerk and lock nut
- Plastic seal/retainer washer (roller bearing models)
- 5/16" swivel steel top plate for durability, rigid top plate 1/4" steel
- Grease fittings: wheel bearing and swivel raceway
- "Colson 45" multi-temp grease lubricates in extreme hot and cold temperatures



## Caster Brake



### Tread Lock

(See page 99)  
Available on all swivel casters except V-Groove models (Specify **BRK1**; Example: 4.06189.929 BRK1).



### Side Lock

(See page 98)  
Available on all swivel models equipped with roller or one-piece Delrin bearing only (Specify **BRK3**; Example: 4.06189.459.2 BRK3).

## Extended Lead Fork

Available on 6" (2 1/2" swivel lead) and 8" (3 1/2" swivel lead) models with 9 1/2" load height (Specify **EL**; Example: 4.06189.929 EL).

See the Performa Advantage on Page 67.

## Fork / Wheel Options

### NSF Listed For Food Service Industry

All models except swivel lock, thread guards, forged steel and cast iron core wheels.

### Forks Only

To order castor forks only use 1st 6 digits of model numbers (Example: 4.04189).



### Hand Activated Swivel Lock

(See page 100)  
Available on all swivel casters (Specify **MTG61**; Example: 4.06189.459.2 BRK3).



### Foot Activated Swivel Lock

(See page 100)  
Available on all swivel casters with standard top plate (Specify **MTG81**; Example: 4.06189.9NC MTG81).

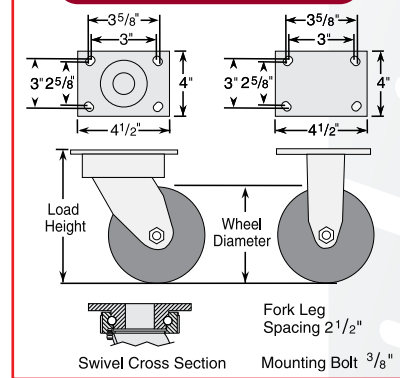
### Thread Guards

(See page 108) Available on many models (Specify **TG1** for metal or **TG2** for plastic; Example: 4.06189.929 TG1).

### Load Height Option

Optional 10 1/8" load height (6 1/2" swivel radius) available for 8" swivel and rigid casters (Specify **LH 10 1/8**; Example: 4.06189.929 101/8).

## Standard Dimensions



## Axle / Nut Options

**Axle/Nut Options**  
Consult factory.

## CAD Models & Datasheets Online!

[www.colsoncaster.com/casters/](http://www.colsoncaster.com/casters/)

## Wheel Selection



**Colson 4 Series Casters • Enforcer Kingpinless Top Plate Swivel & Rigid • Capacity to 2000 lbs**

Wheel Dia.	Tread Width	Capacity Each (Pounds)	Wheel Descriptions	Swivel Top Plate Roller Bearing Caster Models	Rigid Top Plate Roller Bearing Caster Models	Optional Bearings (Order information below chart)	Load Height	Swivel Radius	Weight lbs (Rigid Deduct 1.5 lbs)
4"	2"	300	Performa Rubber (Flat/Conductive)	4.04189.459 COND	4.04108.459 COND	PPBB	5 5/8"	3 9/16"	5 3/4
			Performa Rubber (Flat/Black)	4.04189.459.2	4.04108.459.2	Delrin, Prec. Ball, PPBB	5 5/8"	3 9/16"	5 3/4
		400	Performa Rubber (Flat/Grey)	4.04189.459	4.04108.459	Delrin, Prec. Ball, PPBB	5 5/8"	3 9/16"	5 3/4
			Performa Rubber (Round)	4.04189.559	4.04108.559	Delrin, Prec. Ball, PPBB	5 5/8"	3 9/16"	5 3/4
		600	Polyurethane HI-TECH	4.04189.929	4.04108.929	Delrin, PPBB	5 5/8"	3 9/16"	4 3/4
			Moldon Polyurethane (Aluminum core)	4.04189.939	4.04108.939	Delrin, PPBB	5 5/8"	3 9/16"	5 1/2
		700	Moldon Polyurethane (Cast iron core)	4.04189.949.7	4.04108.949.7	Delrin, PPBB	5 5/8"	3 9/16"	6
			Maxim	4.04189.539	4.04108.539	Delrin, Bronze, PPBB	5 5/8"	3 9/16"	5 1/8
		800	Phenolic	4.04189.339	4.04108.339	Delrin, PPBB	5 5/8"	3 9/16"	5 3/4
			CG-MAX Efficiency Wheel™ (Orange)*	4.04189.9NC	4.04108.9NC	Prec. Ball Standard	5 5/8"	3 9/16"	7 1/2
			CG-MAX Efficiency Wheel™ (Maroon)*	4.04189.9PC	4.04108.9PC	Prec. Ball Standard	5 5/8"	3 9/16"	7 1/2
			Conquest*	4.04189.9PC	4.04108.9PC	Prec. Ball Standard	5 5/8"	3 9/16"	7 1/2
			V-Groove	4.04189.739	4.04108.739	Delrin, PPBB	5 5/8"	3 9/16"	8 1/8
			Endura Solid Elastomer	4.04189.839 EN	4.04108.839 EN	Delrin, Prec. Ball, PPBB	5 5/8"	3 9/16"	5 3/4
1000	Cast Iron	4.04189.139	4.04108.139	Delrin, PPBB	5 5/8"	3 9/16"	7 7/8		
	Commander HD*	4.04189.5PN	4.04108.5PN	Prec. Ball Standard	5 5/8"	3 9/16"	8 1/4		
5"	2"	325	Performa Rubber (Flat/Conductive)	4.05189.459 COND	4.05108.459 COND	PPBB	6 1/2"	3 7/8"	6 1/8
			Performa Rubber (Round)	4.05189.559	4.05108.559	Delrin, Prec. Ball, PPBB	6 1/2"	3 7/8"	6 1/8
		425	Performa Rubber (Flat/Black)	4.05189.459.2	4.05108.459.2	Delrin, Prec. Ball, PPBB	6 1/2"	3 7/8"	6 1/8
			Performa Rubber (Flat/Grey)	4.05189.459	4.05108.459	Delrin, Prec. Ball, PPBB	6 1/2"	3 7/8"	6 1/8
		500	Polyurethane HI-TECH	4.05189.929	4.05108.929	Delrin, PPBB	6 1/2"	3 7/8"	4 3/4
			Maxim	4.05189.539	4.05108.539	Delrin, Bronze, PPBB	6 1/2"	3 7/8"	5 1/2
		1000	Endura Solid Elastomer	4.05189.839 EN	4.05108.839 EN	Delrin, Prec. Ball, PPBB	6 1/2"	3 7/8"	5 3/4
			Moldon Polyurethane (Aluminum core)	4.05189.939	4.05108.939	Delrin, PPBB	6 1/2"	3 7/8"	6 1/8
			Moldon Polyurethane (Cast iron core)	4.05189.949.7	4.05108.949.7	Delrin, PPBB	6 1/2"	3 7/8"	7
			Moldon Nylon	4.05189.939.3	4.05108.939.3	Delrin, PPBB	6 1/2"	3 7/8"	9 1/4
			Phenolic	4.05189.339	4.05108.339	Delrin, PPBB	6 1/2"	3 7/8"	5 3/4
			CG-MAX Efficiency Wheel™ (Orange)*	4.05189.9NC	4.05108.9NC	Prec. Ball Standard	6 1/2"	3 7/8"	8
		1400	CG-MAX Efficiency Wheel™ (Maroon)*	4.05189.9PC	4.05108.9PC	Prec. Ball Standard	6 1/2"	3 7/8"	8
			Cast Iron	4.05189.139	4.05108.139	Delrin, PPBB	6 1/2"	3 7/8"	8 7/8
2000	Forged Steel	4.05189.239	4.05108.239	Delrin, PPBB	6 1/2"	3 7/8"	9 1/4		
	Commander HD*	4.05189.5PN	4.05108.5PN	Prec. Ball Standard	6 1/2"	3 7/8"	8 3/4		
6"	2"	410	Performa Rubber (Flat/Conductive)	4.06189.459 COND	4.06108.459 COND	PPBB	7 1/2"	4 5/8"	6 1/8
			Performa Rubber (Round/Conductive)	4.06189.559 COND	4.06108.559 COND	PPBB	7 1/2"	4 5/8"	6 1/8
		450	Performa Rubber (Round)	4.06189.559	4.06108.559	Delrin, Prec. Ball, PPBB	7 1/2"	4 5/8"	6 1/8
			Performa Rubber (Flat/Black)	4.06189.459.2	4.06108.459.2	Delrin, Prec. Ball, PPBB	7 1/2"	4 5/8"	6 1/8
		600	Performa Rubber (Flat/Grey)	4.06189.459	4.06108.459	Delrin, Prec. Ball, PPBB	7 1/2"	4 5/8"	6 1/8
			Polyurethane HI-TECH	4.06189.929	4.06108.929	Delrin, PPBB	7 1/2"	4 5/8"	5
		900	Triumph (Round/Blue)*	4.06189.96TF	4.06108.96TF	Prec. Ball Standard	7 1/2"	4 5/8"	5
			Triumph (Round/Red)*	4.06189.96TS	4.06108.96TS	Prec. Ball Standard	7 1/2"	4 5/8"	5
		1100	Endura Solid Elastomer	4.06189.839 EN	4.06108.839 EN	Delrin, Prec. Ball, PPBB	7 1/2"	4 5/8"	7
			Maxim	4.06189.539	4.06108.539	Delrin, Bronze, PPBB	7 1/2"	4 5/8"	5 3/4
		1200	Moldon Polyurethane (Aluminum core)	4.06189.939	4.06108.939	Delrin, PPBB	7 1/2"	4 5/8"	7 1/2
			Moldon Polyurethane (Cast iron core)	4.06189.949.7	4.06108.949.7	Delrin, PPBB	7 1/2"	4 5/8"	9
			Moldon Nylon	4.06189.939.3	4.06108.939.3	Delrin, PPBB	7 1/2"	4 5/8"	9 1/4
			Phenolic	4.06189.339	4.06108.339	Delrin, PPBB	7 1/2"	4 5/8"	7
V-Groove	4.06189.739		4.06108.739	Delrin, PPBB	7 1/2"	4 5/8"	10 1/2		
CG-MAX Efficiency Wheel™ (Orange)*	4.06189.9NC		4.06108.9NC	Prec. Ball Standard	7 1/2"	4 5/8"	8 1/8		
1250	CG-MAX Efficiency Wheel™ (Maroon)*	4.06189.9PC	4.06108.9PC	Prec. Ball Standard	7 1/2"	4 5/8"	8 1/8		
	Cast Iron	4.06189.139	4.06108.139	Delrin, PPBB	7 1/2"	4 5/8"	9 3/4		
1700	Forged Steel	4.06189.239	4.06108.239	Delrin, PPBB	7 1/2"	4 5/8"	10 1/4		
	Commander HD*	4.06189.5PN	4.06108.5PN	Prec. Ball Standard	7 1/2"	4 5/8"	10		
8"	2"	500	Performa Rubber (Flat/Conductive)	4.08189.459 COND	4.08198.459 COND	PPBB	9 1/2"	6 1/8"	6 1/4
			Performa Rubber (Round/Conductive)	4.08189.559 COND	4.08198.559 COND	PPBB	9 1/2"	6 1/8"	6 1/4
		600	Performa Rubber (Round)	4.08189.559	4.08198.559	Delrin, Prec. Ball, PPBB	9 1/2"	6 1/8"	6 1/4
			Performa Rubber (Flat/Black)	4.08189.459.2	4.08198.459.2	Delrin, Prec. Ball, PPBB	9 1/2"	6 1/8"	6 1/4
		675	Performa Rubber (Flat/Grey)	4.08189.459	4.08198.459	Delrin, Prec. Ball, PPBB	9 1/2"	6 1/8"	6 1/4
			Polyurethane HI-TECH	4.08189.929	4.08198.929	Delrin, PPBB	9 1/2"	6 1/8"	5 1/4
		1000	Endura Solid Elastomer	4.08189.839 EN	4.08198.839 EN	Delrin, Prec. Ball, PPBB	9 1/2"	6 1/8"	8 1/2
			Triumph (Round/Blue)*	4.08189.96TF	4.08198.96TF	Delrin, Prec. Ball, PPBB	9 1/2"	6 1/8"	8 1/2
		1200	Triumph (Round/Red)*	4.08189.96TS	4.08198.96TS	Delrin, Prec. Ball, PPBB	9 1/2"	6 1/8"	8 1/2
			Maxim	4.08189.539	4.08198.539	Delrin, Bronze, PPBB	9 1/2"	6 1/8"	6 1/2
		1400	Phenolic	4.08189.339	4.08198.339	Delrin, PPBB	9 1/2"	6 1/8"	8 1/2
			Moldon Polyurethane (Aluminum core)	4.08189.939	4.08198.939	Delrin, PPBB	9 1/2"	6 1/8"	8 1/4
			Moldon Polyurethane (Cast iron core)	4.08189.949.7	4.08198.949.7	Delrin, PPBB	9 1/2"	6 1/8"	11
			Moldon Nylon	4.08189.939.3	4.08198.939.3	Delrin, PPBB	9 1/2"	6 1/8"	9 1/4
Cast Iron	4.08189.139		4.08198.139	Delrin, PPBB	9 1/2"	6 1/8"	12 1/2		
CG-MAX Efficiency Wheel™ (Orange)*	4.08189.9NC		4.08198.9NC	Prec. Ball Standard	9 1/2"	6 1/8"	8 1/2		
1500	CG-MAX Efficiency Wheel™ (Maroon)*	4.08189.9PC	4.08198.9PC	Prec. Ball Standard	9 1/2"	6 1/8"	8 1/2		
	Commander HD*	4.08189.5PN	4.08198.5PN	Prec. Ball Standard	9 1/2"	6 1/8"	12		

\*CG-MAX, Triumph and Commander HD wheels available with Precision Ball Bearing only.

**Bearing Options**

Wheels feature roller bearings in above chart. To order optional bearings, see information to the right.



**Roller Bearing**  
Metal cage (Specify **WB29**).

(Example: 4.06199.459 WB29).



**Torrington Roller Bearing**

Torrington style roller bearing with retainer.

(Specify **WB19**).  
(Example: 4.06199.459 WB19).



**Delrin Bearing**

For standard two-piece bearing change 9th digit to "1" (Example: 4.06199.451 WB11). One-piece with steel thrust washers (Specify **WB11**). Example: 4.06199.451 WB11).



**Precision Ball**

Standard on Triumph, Conquest, and Commander HD wheels.



**Pedestal Precision Ball Bearing (PPBB)**

To order change 9th digit to "5" (Example: 4.06189.455).



**Bronze Bearing**

To order change 9th digit to "4" (Example: 4.06189.534).

**4 Series**