

6 Series

Capacity up to 2000 lbs each

ENFORCER Kingpinless Swivel & Rigid



Features

- Attractive zinc plated finish
- 1/4" fork leg thickness
- Single ball hardened swivel raceway
- 1/2" hollow axle with grease zerks and lock nut
- Plastic seal/retainer washer (roller bearing models)
- 5/16" steel top plate for durability (1/4" rigid top plate)
- Grease fittings: wheel bearing and swivel raceway
- Multi-temp grease lubricates in extreme hot and cold temperatures

Fork / Wheel Options

NSF Listed For Food Service Industry

All models except swivel lock, thread guards, forged steel and cast iron core wheels (Specify **FSI**; Example: 6.06289.929 FSI).

Forks Only

To order caster forks only use 1st 6 digits of model numbers (Example: 6.04289).



Hand Activated Swivel Lock

(See page 100) Available on all swivel casters (Specify **MTG62** with standard top plate and **MTG64** with #4 top plate; Example: 6.06289.929 MTG64).

Thread Guards

(See page 108) Available on many models (Specify **TG1** for metal or **TG2** for plastic; Example: 6.06289.929 TG1).

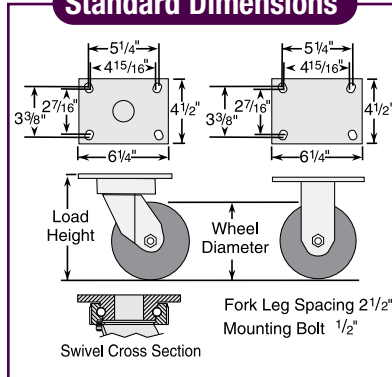
Load Height Option

Optional 9 1/2" load height (6 1/4" swivel radius) available for 8" swivel & rigid casters (Specify **LH9.5**; Example: 6.06289.929 LH9.5).

Axle/Nut Options

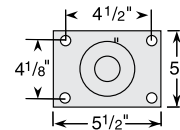
Consult factory.

Standard Dimensions



Optional Top Plates

4 Top Plate (Specify MTG4).



To order optional top plate, add mounting code to Caster Models number (Example: 6.04289.839 MTG4).

Caster Brake



Tread Lock

(See page 99) Available on all swivel casters except V-Groove models (Specify **BRK1**; Example: 6.06289.839 EN BRK1).



Side Lock

(See page 98) Available on all swivel models equipped with roller or one-piece Delrin bearing only (Specify **BRK3**; Example: 6.06289.459.2 BRK3).

CAD Models & Datasheets Online!
www.colsoncaster.com/casters/

See the Performa Advantage on Page 67.

Wheel Selection



Colson 6 Series Casters • Enforcer Kingpinless Top Plate Swivel & Rigid • Capacity to 2000 lbs

6 Series

Wheel Dia.	Tread Width	Capacity Each (Pounds)	Wheel Descriptions	Swivel Top Plate Roller Bearing Caster Models	Rigid Top Plate Roller Bearing Caster Models	Optional Bearings (Order information below chart)	Load Height	Swivel Radius	Weight lbs (Rigid Deduct 2 lbs)
4"	2"	300	Performa Rubber (Flat/Conductive)	6.04289.459 COND	6.04208.459 COND	PPBB	5 5/8"	3 15/32"	7 1/4
		400	Performa Rubber (Flat/Black)	6.04289.459.2	6.04208.459.2	Delrin, Prec. Ball, PPBB	5 5/8"	3 15/32"	7 1/4
			Performa Rubber (Flat/Grey)	6.04289.459	6.04208.459	Delrin, Prec. Ball, PPBB	5 5/8"	3 15/32"	7 1/4
		600	Performa Rubber (Round)	6.04289.559	6.04208.559	Delrin, Prec. Ball, PPBB	5 5/8"	3 15/32"	7 1/4
			Polyurethane HI-TECH	6.04289.929	6.04208.929	Delrin, PPBB	5 5/8"	3 15/32"	7 1/2
		700	Moldon Polyurethane (Aluminum core)	6.04289.939	6.04208.939	Delrin, PPBB	5 5/8"	3 15/32"	7 1/2
			Moldon Polyurethane (Cast iron core)	6.04289.949.7	6.04208.949.7	Delrin, PPBB	5 5/8"	3 15/32"	9 1/4
		800	Maxim	6.04289.539	6.04208.539	Delrin, Bronze, PPBB	5 5/8"	3 15/32"	5 7/8
			Phenolic	6.04289.339	6.04208.339	Delrin, PPBB	5 5/8"	3 15/32"	7 1/4
			CG-MAX Efficiency Wheel™ (Orange)*	6.04289.9NC	6.04208.9NC	Prec. Ball Standard	5 5/8"	3 15/32"	9 1/8
			CG-MAX Efficiency Wheel™ (Maroon)*	6.04289.9PC	6.04208.9PC	Prec. Ball Standard	5 5/8"	3 15/32"	9 1/8
			V-Groove	6.04289.739	6.04208.739	Delrin, PPBB	5 5/8"	3 15/32"	11
			Endura Solid Elastomer	6.04289.839 EN	6.04208.839 EN	Delrin, Prec. Ball, PPBB	5 5/8"	3 15/32"	7 1/4
		1000	Cast Iron	6.04289.139	6.04208.139	Delrin, PPBB	5 5/8"	3 15/32"	9
Commander HD*	6.04289.5PN		6.04208.5PN	Prec. Ball Standard	5 5/8"	3 15/32"	9 1/4		
5"	2"	325	Performa Rubber (Flat/Conductive)	6.05289.459 COND	6.05208.459 COND	PPBB	6 1/2"	3 29/32"	7 5/8
		425	Performa Rubber (Round)	6.05289.559	6.05208.559	Delrin, Prec. Ball, PPBB	6 1/2"	3 29/32"	7 5/8
		500	Performa Rubber (Flat/Black)	6.05289.459.2	6.05208.459.2	Delrin, Prec. Ball, PPBB	6 1/2"	3 29/32"	7 5/8
			Performa Rubber (Flat/Grey)	6.05289.459	6.05208.459	Delrin, Prec. Ball, PPBB	6 1/2"	3 29/32"	7 5/8
		750	Polyurethane HI-TECH	6.05289.929	6.05208.929	Delrin, PPBB	6 1/2"	3 29/32"	8 1/2
			Maxim	6.05289.539	6.05208.539	Delrin, Bronze, PPBB	6 1/2"	3 29/32"	6 1/4
		1000	Endura Solid Elastomer	6.05289.839 EN	6.05208.839 EN	Delrin, Prec. Ball, PPBB	6 1/2"	3 29/32"	8
			Moldon Polyurethane (Aluminum core)	6.05289.939	6.05208.939	Delrin, PPBB	6 1/2"	3 29/32"	8 3/4
			Moldon Polyurethane (Cast iron core)	6.05289.949.7	6.05208.949.7	Delrin, PPBB	6 1/2"	3 29/32"	11 1/4
			Moldon Nylon	6.05289.939.3	6.05208.939.3	Delrin, PPBB	6 1/2"	3 29/32"	8
			Phenolic	6.05289.339	6.05208.339	Delrin, PPBB	6 1/2"	3 29/32"	8
			CG-MAX Efficiency Wheel™ (Orange)*	6.05289.9NC	6.05208.9NC	Prec. Ball Standard	6 1/2"	3 29/32"	9 1/2
		CG-MAX Efficiency Wheel™ (Maroon)*	6.05289.9PC	6.05208.9PC	Prec. Ball Standard	6 1/2"	3 29/32"	9 1/2	
			Cast Iron	6.05289.139	6.05208.139	Delrin, PPBB	6 1/2"	3 29/32"	10 3/4
1500	Forged Steel	6.05289.239	6.05208.239	Delrin, PPBB	6 1/2"	3 29/32"	11 1/4		
2000	Commander HD*	6.05289.5PN	6.05208.5PN	Prec. Ball Standard	6 1/2"	3 29/32"	11 1/4		
6"	2"	410	Performa Rubber (Flat/Conductive)	6.06289.459 COND	6.06208.459 COND	PPBB	7 1/2"	4 11/16"	7 3/4
		450	Performa Rubber (Round/Conductive)	6.06289.559 COND	6.06208.559 COND	PPBB	7 1/2"	4 11/16"	7 3/4
			Performa Rubber (Round)	6.06289.559	6.06208.559	Delrin, Prec. Ball, PPBB	7 1/2"	4 11/16"	7 3/4
		600	Moldon Rubber (Cast iron core)	6.06289.649.7	6.06208.649.7	Delrin, PPBB	7 1/2"	4 11/16"	14
			Performa Rubber (Flat/Black)	6.06289.459.2	6.06208.459.2	Delrin, Prec. Ball, PPBB	7 1/2"	4 11/16"	7 3/4
		900	Performa Rubber (Flat/Grey)	6.06289.459	6.06208.459	Delrin, Prec. Ball, PPBB	7 1/2"	4 11/16"	7 3/4
			Polyurethane HI-TECH	6.06289.929	6.06208.929	Delrin, PPBB	7 1/2"	4 11/16"	9
		Triumph (Round/Blue)*	6.06289.96TF	6.06208.96TF	Prec. Ball Standard	7 1/2"	4 11/16"	9 1/4	
			Triumph (Round/Red)*	6.06289.96TS	6.06208.96TS	Prec. Ball Standard	7 1/2"	4 11/16"	9 1/4
		1100	Endura Solid Elastomer	6.06289.839 EN	6.06208.839 EN	Delrin, Prec. Ball, PPBB	7 1/2"	4 11/16"	9 1/4
			Maxim	6.06289.539	6.06208.539	Delrin, Bronze, PPBB	7 1/2"	4 11/16"	6 5/8
		1200	Moldon Polyurethane (Aluminum core)	6.06289.939	6.06208.939	Delrin, PPBB	7 1/2"	4 11/16"	9 1/4
			Moldon Polyurethane (Cast iron core)	6.06289.949.7	6.06208.949.7	Delrin, PPBB	7 1/2"	4 11/16"	12 1/2
			Moldon Nylon	6.06289.939.3	6.06208.939.3	Delrin, PPBB	7 1/2"	4 11/16"	9 1/4
			Phenolic	6.06289.339	6.06208.339	Delrin, PPBB	7 1/2"	4 11/16"	9 1/4
		V-Groove	6.06289.739	6.06208.739	Delrin, PPBB	7 1/2"	4 11/16"	12	
			CG-MAX Efficiency Wheel™ (Orange)*	6.06289.9NC	6.06208.9NC	Prec. Ball Standard	7 1/2"	4 11/16"	10 5/8
		CG-MAX Efficiency Wheel™ (Maroon)*	6.06289.9PC	6.06208.9PC	Prec. Ball Standard	7 1/2"	4 11/16"	10 5/8	
1500	Cast Iron	6.06289.139	6.06208.139	Delrin, PPBB	7 1/2"	4 11/16"	12 1/2		
1700	Forged Steel	6.06289.239	6.06208.239	Delrin, PPBB	7 1/2"	4 11/16"	12 1/2		
2000	Commander HD*	6.06289.5PN	6.06208.5PN	Prec. Ball Standard	7 1/2"	4 11/16"	12 1/2		
8"	2"	500	Performa Rubber (Flat/Conductive)	6.08289.459 COND	6.08278.459 COND	PPBB	10 1/8"	6 1/2"	8 1/2
		600	Performa Rubber (Round/Conductive)	6.08289.559 COND	6.08278.559 COND	PPBB	10 1/8"	6 1/2"	8 1/2
			Performa Rubber (Round)	6.08289.559	6.08278.559	Delrin, Prec. Ball, PPBB	10 1/8"	6 1/2"	8 1/2
		675	Performa Rubber (Flat/Black)	6.08289.459.2	6.08278.459.2	Delrin, Prec. Ball, PPBB	10 1/8"	6 1/2"	8 1/2
			Performa Rubber (Flat/Grey)	6.08289.459	6.08278.459	Delrin, Prec. Ball, PPBB	10 1/8"	6 1/2"	8 1/2
		1000	Polyurethane HI-TECH	6.08289.929	6.08278.929	Delrin, PPBB	10 1/8"	6 1/2"	9 1/2
			Endura Solid Elastomer	6.08289.839 EN	6.08278.839 EN	Delrin, Prec. Ball, PPBB	10 1/8"	6 1/2"	11 1/2
		1200	Triumph (Round/Blue)*	6.08289.96TF	6.08278.96TF	Prec. Ball Standard	10 1/8"	6 1/2"	11 1/4
			Triumph (Round/Red)*	6.08289.96TS	6.08278.96TS	Prec. Ball Standard	10 1/8"	6 1/2"	11 1/4
		1400	Maxim	6.08289.539	6.08278.539	Delrin, Bronze, PPBB	10 1/8"	6 1/2"	7 1/2
			Phenolic	6.08289.339	6.08278.339	Delrin, PPBB	10 1/8"	6 1/2"	11 1/2
		1500	Moldon Polyurethane (Aluminum core)	6.08289.939	6.08278.939	Delrin, PPBB	10 1/8"	6 1/2"	11 1/4
			Moldon Polyurethane (Cast iron core)	6.08289.949.7	6.08278.949.7	Delrin, PPBB	10 1/8"	6 1/2"	16 1/4
			Moldon Nylon	6.08289.939.3	6.08278.939.3	Delrin, PPBB	10 1/8"	6 1/2"	11 1/4
CG-MAX Efficiency Wheel™ (Orange)*	6.08289.9NC		6.08278.9NC	Prec. Ball Standard	10 1/8"	6 1/2"	11 5/8		
CG-MAX Efficiency Wheel™ (Maroon)*	6.08289.9PC	6.08278.9PC	Prec. Ball Standard	10 1/8"	6 1/2"	11 5/8			
2000	Cast Iron	6.08289.139	6.08278.139	Delrin, PPBB	10 1/8"	6 1/2"	16 1/4		
Commander HD*	6.08289.5PN	6.08278.5PN	Prec. Ball Standard	10 1/8"	6 1/2"	15 3/4			

*CG-MAX, Triumph and Commander HD wheels available with Precision ball bearing only.

Bearing Options

Wheels feature roller bearings in above chart. To order optional bearings, see information to the right.



Roller Bearing
Metal cage roller bearing (Specify **WB29**).

(Example: 4.06289.459 WB29).



Torrington Roller Bearing

Torrington style roller bearing with retainer (Specify **WB19**; Example: 4.06289.459 WB19).



Delrin Bearing
For standard two-piece bearing change 9th digit to "1"

(Example: 6.06289.931). One-piece with steel thrust washers (Specify **WB11**; Example: 4.06281.459 WB11).



Precision Ball Bearing
Standard on Triumph,

and Commander HD wheels. Note: Performa 6" to 8" capacity decreases (See wheel section).



Pedestal Precision Ball Bearing (PPBB)

To order change 9th digit to "5" (Example: 6.06209.4F5).



Bronze Bearing

To order, change the 9th digit in model number to "4" (Example: 6.06289.534).