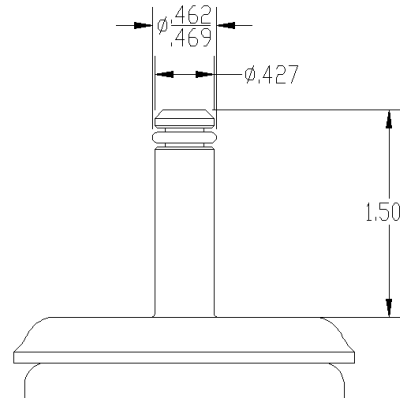




April 2012

Sometimes smaller is better - for the application....



Introducing 7/16" x 1 1/2" Grip Ring Stem for our 2 Series Line

- Available in all sizes of Colson 2 series forks.
- Attractive and durable zinc-plated finish.
- To order, specify MTG 2 – example 2.05251 MTG2.
- Applications include food service equipment, medical, institutional, furniture, and many others.
- Maximum load capacity will be 275LBS for this mounting option.

Contact your regional sales manager or customer service representative today for more information and to place your order.

To your continued success,

Brian Crain
Product Manager
Colson Caster Corporation